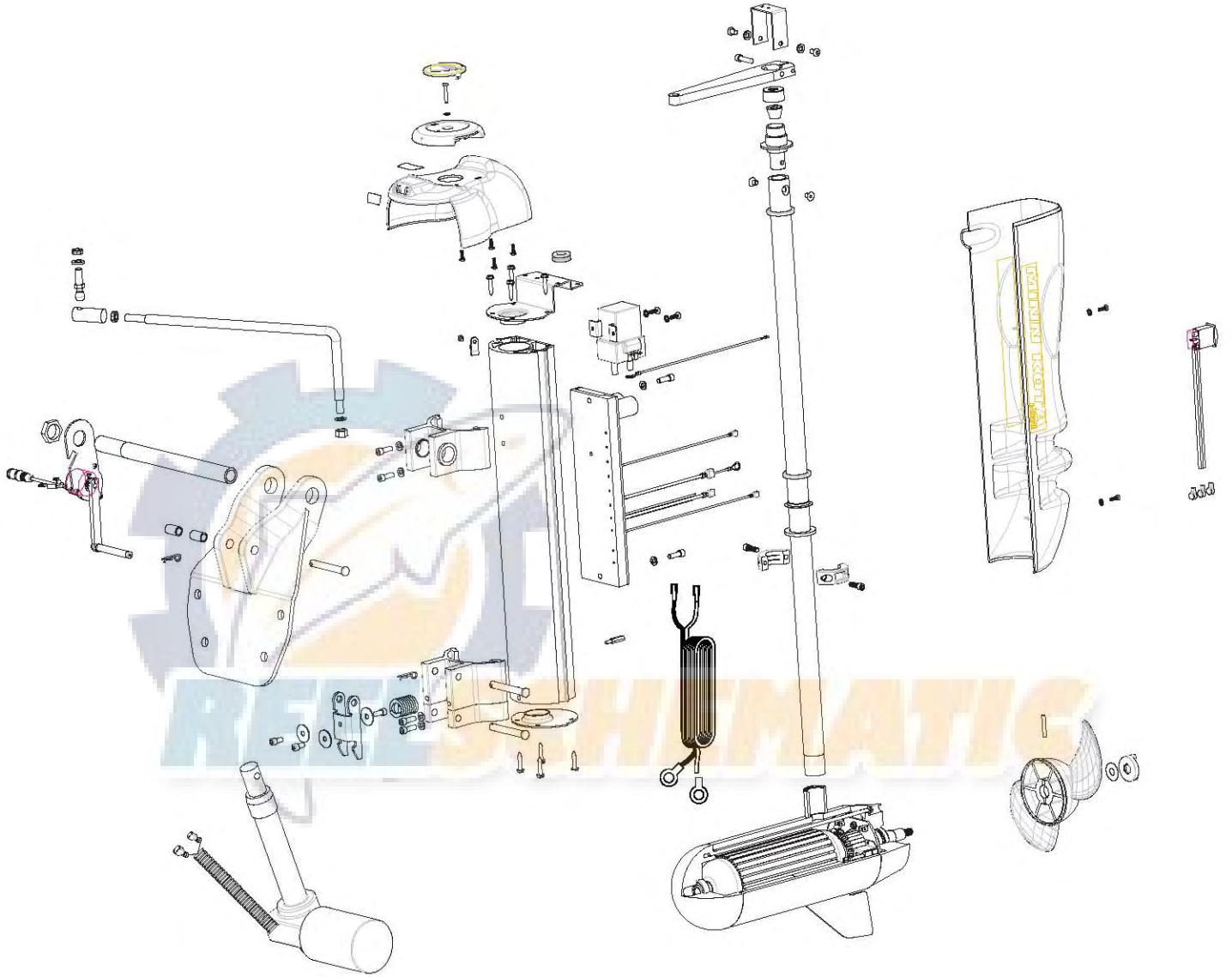
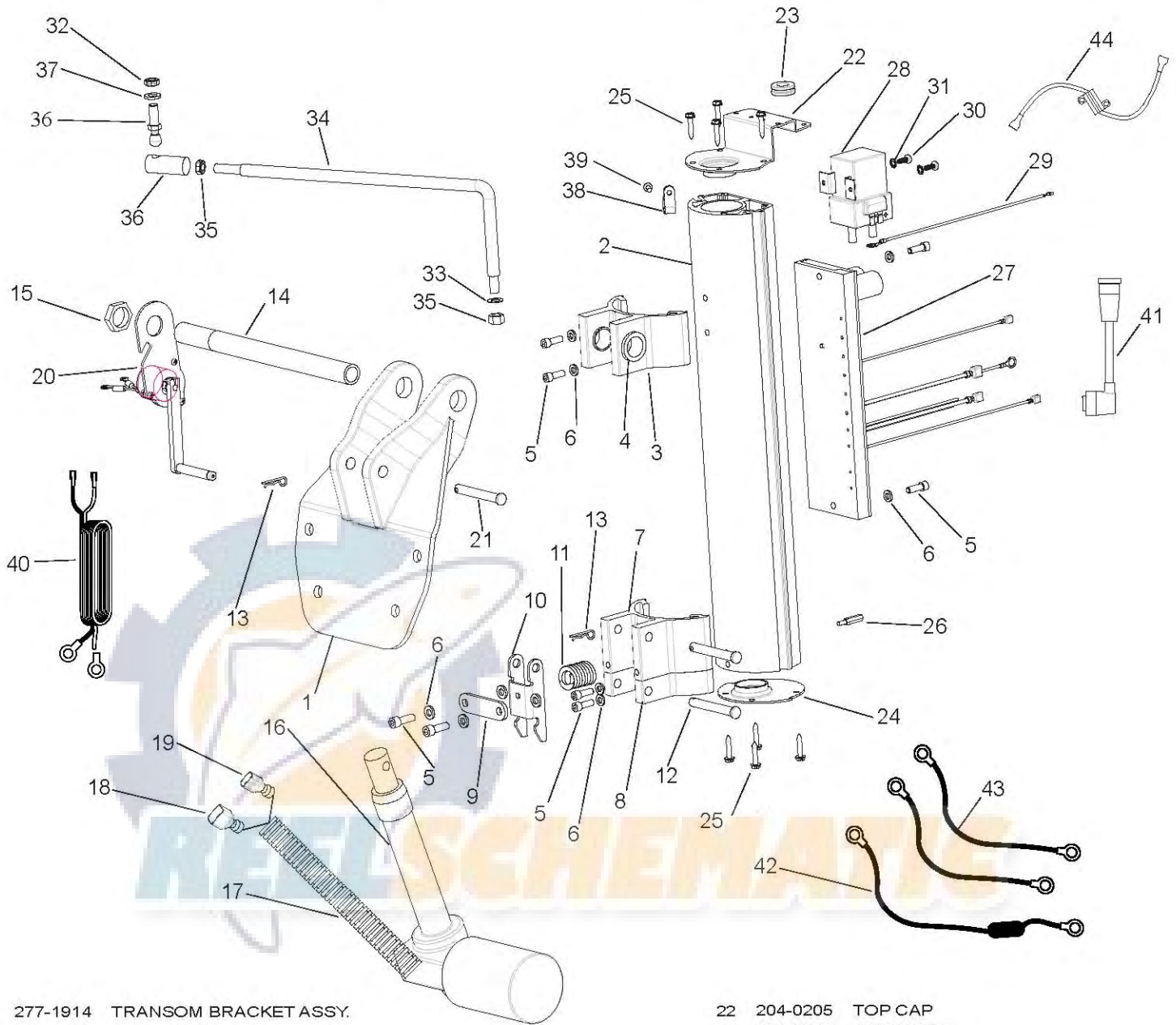


# E-DRIVE 2 hp, 48-volt

for use with motors with serial numbers less than MKAH4025524 (2-year warranty from date of purchase)



# EXTRUSION ASSEMBLY

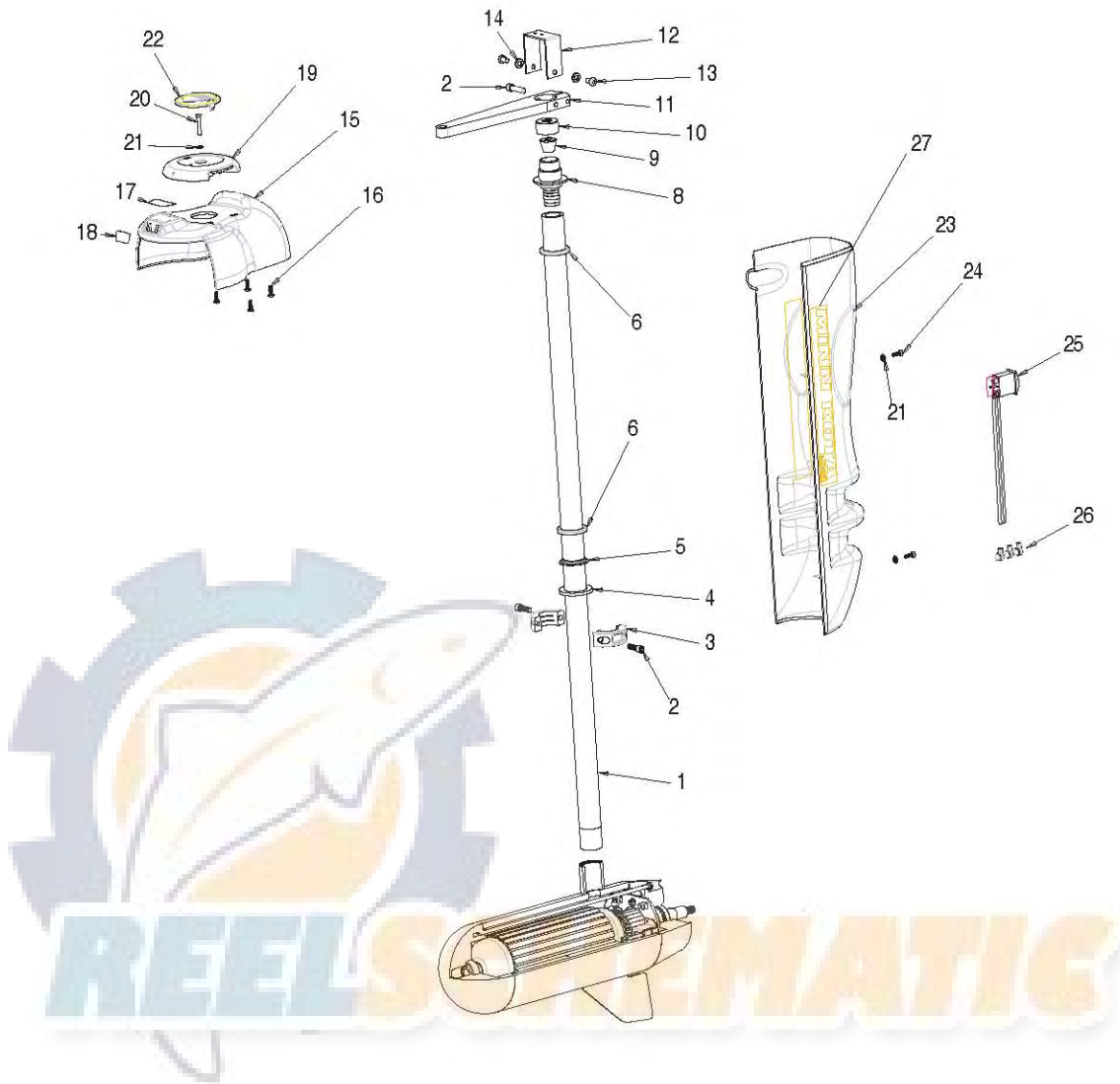


1	277-1914	TRANSOM BRACKET ASSY.
2	204-6505	MAIN EXTRUSION
■	277-1802	HINGE EXTRUSION ASSY.
*3	204-1802	HINGE EXTRUSION
*4	204-7300	BUSHING [2.EA]
5	995-4533	SCREW 1/4-20 X 3/4" [8.EA]
6	995-0357	LOCKWASHER [10.EA]
7	204-1806	SLIDE EXTRUSION
8	204-1804	STOP EXTRUSION
9	204-1940	LATCH PLATE
10	204-7200	LATCH
11	204-2715	SPRING
12	204-2600	SHORT CLEVIS PIN [2.EA]
13	226-0801	HAIR SPRING CLIP [3.EA]
14	204-2000	STEERING TUBE
15	995-0825	HEX STEERING NUT
■	277-2800	ACTUATOR ASSEMBLY
		(includes items #15, 16, 17, 18)
16	204-2801	ACTUATOR
17	204-2021	CORRUGATED TUBE
18	204-0710	TERMINAL [MALE]
19	204-0711	TERMINAL [FEMALE]
20	204-1935	TILT BRACKET
21	204-2601	LONG CLEVIS PIN

22	204-0205	TOP CAP
23	204-2905	GROMMET
24	204-0200	BOTTOM CAP
25	205-3413	SCREW #10-16 X 1" [8.EA]
26	204-2911	HEX STANDOFF
27	204-4006	CONTROL BOARD
28	204-0700	CONTACTOR
29	204-0600	CONNECTING WIRE
30	222-3454	SCREW #10-32 X 1/2"
31	226-1718	LOCK WASHER
■	277-4210	DRAG LINK ASSEMBLY
		(includes items #32,33,34,35,36,37)
32	238-3104	NYLOK NUT 3/8-24
33	990-067	THRUST WASHER
34	204-4210	DRAG LINK
35	226-3105	HEX NUT 3/8-24 [2.EA]
36	238-3515	QUICK DISCONNECT
37	990-9003	LOCK WASHER
38	205-2512	CABLE CLAMP
39	205-3415	SCREW 8-32 X 3/8" TRI-LOBE
40	204-0605	LEADWIRE 10GA.
41	204-1401	THROTTLE CABLE (3')
42	299-8200	CIRCUIT BREAKER ASSY.
43	234-0610	CONNECTOR CABLE [2.EA]
44	299-4071	RESISTOR ASSEMBLY

\* part of an assembly, not available separately.

# MOTOR SHAFT ASSEMBLY



- 1 204-2011 MOTOR TUBE
- 2 226-3453 1/4-20 X 1" SHCS [2.EA]
- 3 226-1619 SPLIT COLLAR
- 4 204-1700 SPACER WASHER
- 5 226-6115 BEARING CONE
- 6 226-6000 BEARING [2.EA]
- 8 204-6201 MAIN BEARING RACE
- 9 238-2900 PLUG
- 10 995-0339 CAP
- 277-4200 STEERING ARM ASSEMBLY  
(includes items #2 and #12)
- \*11 204-4200 STEERING ARM
- 12 204-1910 INDICATOR BRACKET
- 13 204-3416 1/4-28 X 3/8" BHCS [2.EA]
- 14 995-0357 1/4" LOCK WASHER [2.EA]
- 15 205-0210 SHROUD
- 16 237-2100 SCREW #8 X 5/8" [4.EA]
- 17 204-5600 DECAL [TOP]
- 18 204-5610 DECAL [SIDE]

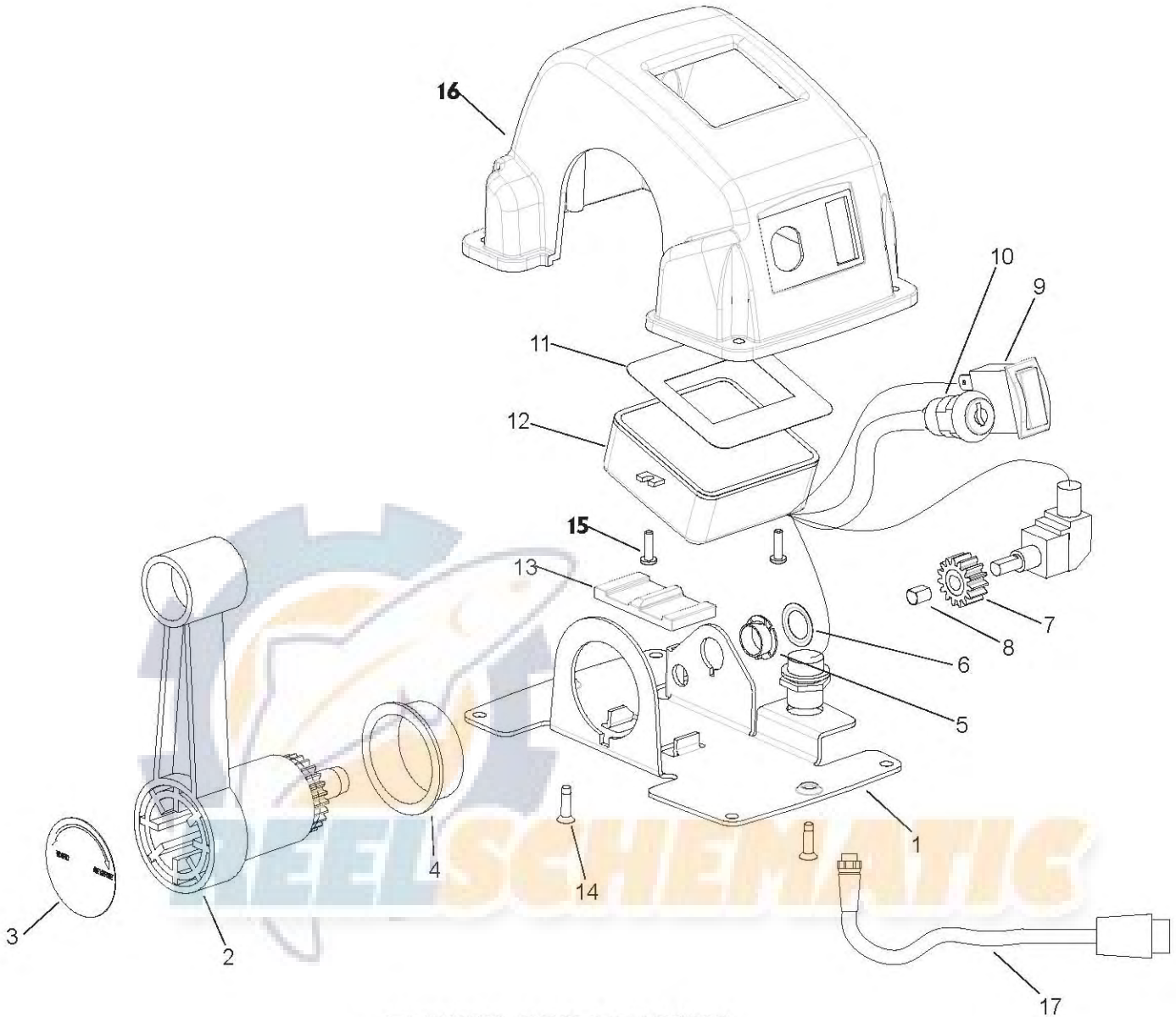
- 19 205-0110 POINTER KNOB
- 20 226-3447 SCREW #8-32 X 1 TRI-LOBE
- 21 237-1715 #8 LOCK WASHER [2.EA]
- 22 205-6700 POINTER
- 277-0222 SHIELD ASSEMBLY  
(includes items #23 and #27)
- \*23 204-0220 SHIELD
- 24 233-2101 #8-32 X 1/2" [2.EA]
- 25 299-4022 TILT SWITCH ASSEMBLY
- 26 204-0340 SCOTCHLOCK CONN. [3.EA]
- \*27 204-5611 DECAL-SHIELD

\* part of an assembly, not available separately.





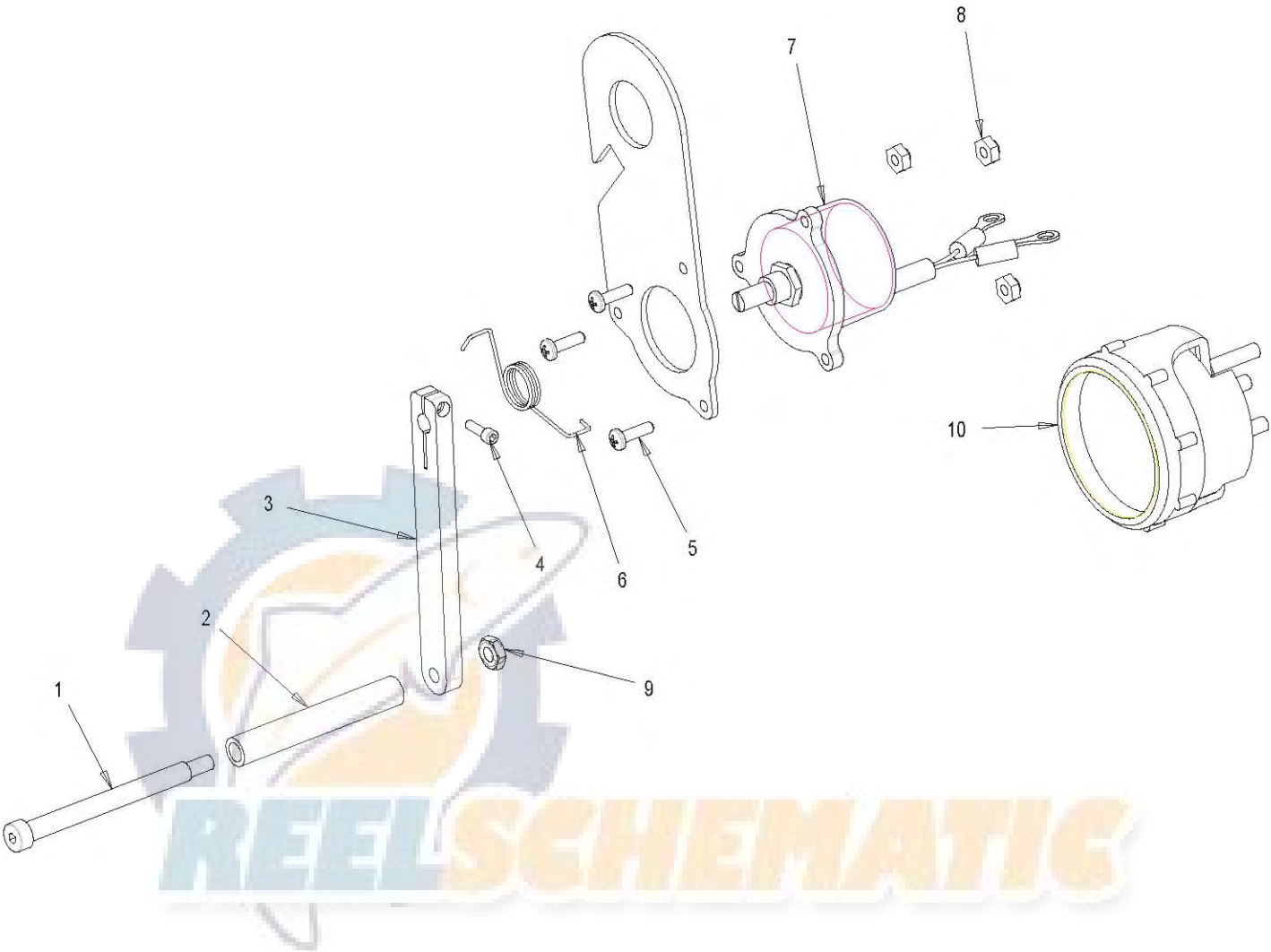
# THROTTLE ASSEMBLY



- 277-0216 THROTTLE ASSEMBLY
- 1 204-1915 BASE- THROTTLE
- 288-0900 HANDLE /W DECAL
- \*2 204-0900 HANDLE -THROTTLE
- \*3 204-5620 HANDLE- THROTTLE DECAL
- 4 230-7305 OUTER BUSHING
- 5 204-7315 BEARING- NYLINER
- 6 204-3110 SPEED NUT
- 7 204-2200 POTENTIOMETER GEAR
- 8 204-2705 KNOB SPRING
- 9 204-4020 TILT SWITCH
- 10 204-4026 KEY SWITCH
- 288-4013 LCD ASSEMBLY
- \*11 204-5615 LCD DECAL
- \*12 204-4011 LCD / CABLE ASSEMBLY  
(includes potentiometer and cable plug)
- 13 204-2701 HANDLE SPRING
- 14 204-3408 SCREW #8-18 X 5/8" [2.EA]
- 15 230-2100 SCREW #6-20 X 1/2" [2.EA]
- 16 204-0215 THROTTLE COVER
- 17 204-1402 THROTTLE CABLE (17')

\* part of an assembly, not available separately.

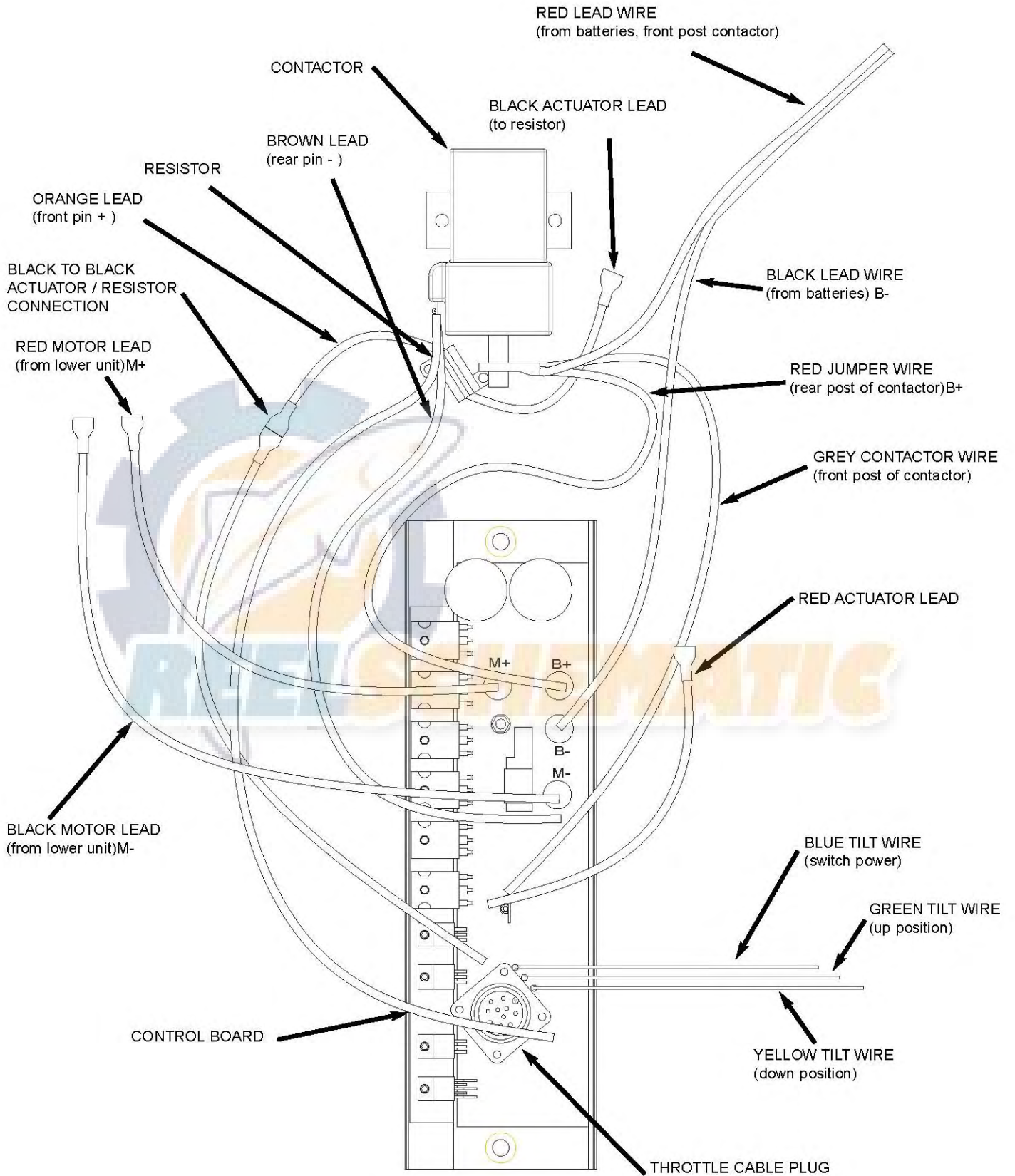
# TILT GAUGE ASSEMBLY



- 1 204-3500 SHOULDER BOLT
- 2 204-2005 ROLLER TUBE
- 3 204-4220 TILT SENDER ARM
- 4 204-3402 #4-40 X 7/16" SCREW
- 5 204-3400 #6-32 X 1/2" SCREW [3.EA]
- 6 204-2710 TORSION SPRING
- 7 299-8405 POTENTIOMETER ASSEMBLY
- 8 204-3112 #6-32 NYLOK NUT [3.EA]
- 9 201-3110 #10-24 HEX NUT
- 10 204-4030 TILT GAUGE

\* part of an assembly, not available separately.

# CONTROL BOARD WIRING for p/n 2044006

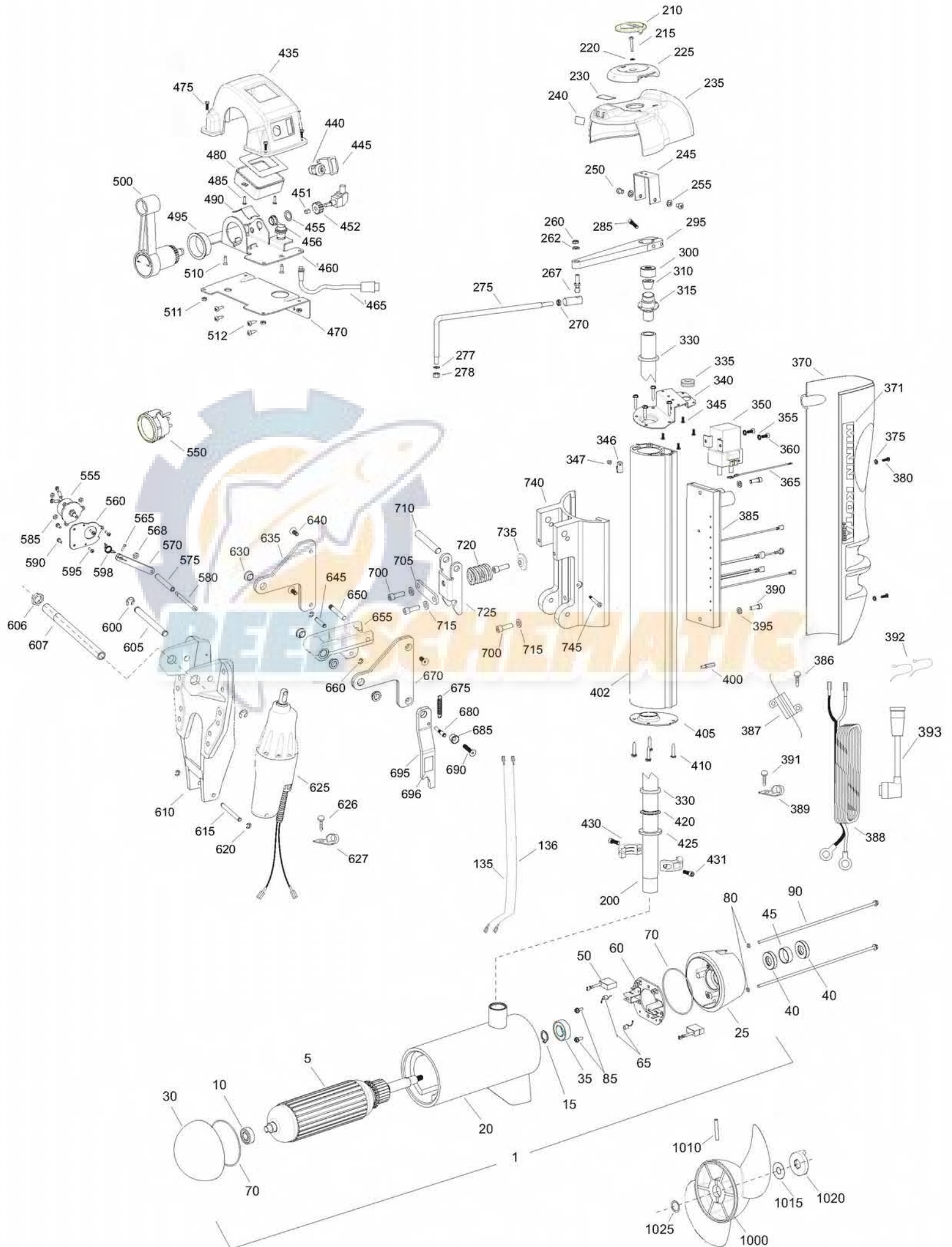




# E-Drive Remote Steer

for use with "AH" serial numbers greater than MKAH4025523

2-year warranty from the date of purchase





Item	P/N	Description	Qty	Item	P/N	Description	Qty	Item	P/N	Description	Qty
1	2357000	Motor Assembly	1	360	2223454	Screw, 10-32 x 1/2	2	575	2042005	Roller tube	1
5	2-100-210	Armature assembly	1	365	2040600	Wire, connecting 10 ga red	1	580	2043500	Shoulder bolt	1
10	140-011	Bearing, plain end	1	370	2050220	Shield, extrusion, vantage	2	585	2043112	Nut, #6	3
15	788-075	Retaining ring	1	371	2045611	Decal, shield, E-drive	1	590	2053415	Screw #8	2
20	2-200-210	Center housing assembly	1	375	2371715	Lockwasher, #8	2	595	2043400	Screw #6	3
25	2-300-210	Brush end housing assembly	1	380	2332101	Screw, 8-32 x 1/2	2	598	2042710	Torsion spring	1
30	421-310	Plain end housing assembly	1	385	2044006	Control Board, E-drive	1	600	2043000	E-ring, .500	2
35	140-013	Bearing, brush end	1	386	2043418	Screw, 4-40 x 3/8	2	605	2042614	Pin, pivot, upper	1
40	880-027	Seal	2	387	2994071	Resistor, E-drive	1	606	9950825	Nut, steering, hex	1
45	725-097	Paper tube	1	388	2040605	Leadwire, prime power	1	607	2042000	steering tube	1
50	188-096	Brush	2	389	2052512	Cable clamp, 1/2	1	610	2041981	Bracket, machined	1
60	2-600-210	Brush plate assembly	1	390	9954533	Screw, 1/4-20 x 3/4 SHCS	2	615	2042612	Pin, lower, actuator	1
65	975-041	Brush spring	2	391	2053415	Screw, 8-32 x 3/8	1	620	2263006	E-ring 5/16	4
70	701-044	O-ring, motor	2	392	9950433	Tie wrap	4	625	2992802	Actuator assy w/ terminals	1
80	701-009	O-ring, thru-bolt	2	393	2041401	Cable, throttle control board	1	626	2053415	Screw, 8-32 x 3/8	2
85	2053410	Screw, 8-32	2	395	9950357	Lockwasher, 1/4	2	627	2040720	Clamp, cable 1/4	2
90	830-096	Thru-bolt	2	400	2042911	Stand-off	1	630	2047302	Bearing, flange	4
135	640-030	Leadwire, black	1	402	2046510	Extrusion, main, E-drive	1	635	2770801	Link, upper, right side	1
136	640-130	Leadwire, red	1	405	2040200	Cap-bottom, E-drive	1	640	2043420	Screw, 5/16-18 x 3/4	3
200	2042011	Tube, Motor	1	410	2053413	Screw 10-16 x 1 type AB	8	645	2042610	Pin, upper, actuator	1
210	2056700	Pointer	1	420	2266115	Bearing cone	1	650	2042618	Pin, latch, breakaway	1
215	2263447	Screw, #8	1	425	2041700	Washer 1 3/16 x 1 3/4	1	■	2774305	Arm assy [655, 630(2)]	1
220	2371715	Lockwasher, #8	1	430	2261622	Collar half, alum	2	655	2044301	Arm- actuator, machined	1
225	2050110	Pointer knob	1	431	2263453	Screw, 1/4-20 x 1 SHCS	2	660	2263006	E-ring, 5/16	4
230	2045600	Decal, top	1	■	2770216	Throttle assembly [435-512]	1	670	2770802	Link, upper, left side	1
235	2050210	Shroud	1	435	2040215	Throttle cover	1	675	2042722	Spring, extension	1
240	2045610	Decal, side	1	440	2044025	Switch, key	1	680	2042624	Pin, stabilizer	1
245	2041910	Bracket, indicator	1	445	2044020	Switch, tilt	1	685	2047320	Bushing, tilt arm	1
250	2043416	Screw, 1/4-28 BHCS	2	451	2042705	Spring knob	1	690	2043428	Screw, 5/16-18 x 1 1/2	1
255	9950357	Lockwasher, 1/4	2	452	2042200	Gear, potentiometer	1	695	2774309	Arm, stabilizer [695-696]	1
■	2774211	Drag link assy	1	455	2043110	Nut, speed	1	696	2045630	Warning Decal	1
260	2383104	Nut, 3/8-24 nylock	1	456	2047315	Bearing, nyliner	1	700	9954533	Screw, 1/4-20 x 3/4 SHCS	4
262	9909003	Lockwasher, 3/8	1	460	2041915	Base, throttle	1	705	2041940	Plate, latch, breakaway	1
265	2383515	Quick disconnect	1	465	2041402	Cable, throttle (17")	1	710	2042616	Pin, upper, breakaway	1
270	2263105	Nut, 3/8-24	1	470	2041930	Bracket, mounting	1	715	9950357	Lockwasher 1/4	4
275	2044211	Drag link	1	475	2332101	Screw, #8-32	4	720	2042715	Spring, breakaway	1
277	990-067	Washer, thrust	1	480	2044011	LCD/Cable assy [465]	1	725	2047200	Latch, breakaway	1
278	2263105	Nut, 3/8-24	1	485	2302100	Screw, #6	2	735	2041500	Shim washer, breakaway	1
285	2263453	Bolt 1/4-20 x 1	1	490	2042701	Spring, handle	1	740	2041810	Extrusion, breakaway	1
295	2044200	Arm, steering	1	500	2880900	Throttle handle w/ decal	1	745	2043504	Bolt, shoulder 1/4-20 x 1 1/4	1
300	9950339	Cap, motor fitting	1	510	2043408	Screw, #8	2	■	1378140	Propeller kit	1
310	2382900	Grommet, split	1	511	2303112	Nut, #8-32	4	1010	2352602	Drive pin	1
315	2046201	Bearing race, main E-drive	1	512	2043412	Screw, #8-18	4	1015	2091701	Washer, prop	1
325	2042620	Pin, spring	1	550	2044030	Tilt gauge	1	1020	2198401	Nut, nylock, prop, Anode	1
330	2266000	Beaing, steel ball	1	■	2778407	Tilt send assy w/o gauge [555-598]	1	1025	2374611	O-ring, prop	1
335	2042905	Grommet	1	555	2998405	Potentiometer assy	1				
340	2040207	Cap-top	1	560	2041937	Tilt bracket	1				
345	2372100	Screw, 8-18 x 5/8	5	565	2043402	Screw, #4	1	■	2994882	Mounting bag kit (3/8 hardware)	1
350	2040700	Contacto	1	568	2013110	Nut, #10-24	1				
355	2261718	Washer, lock - #10	2	570	2044221	Tilt sender arm	1				

\* This item is part of an assembly. This item cannot be sold separately due to machining and /or assembly that is required.

P/N 2047102

REV. B 5-07

# 48 VOLT WIRING

